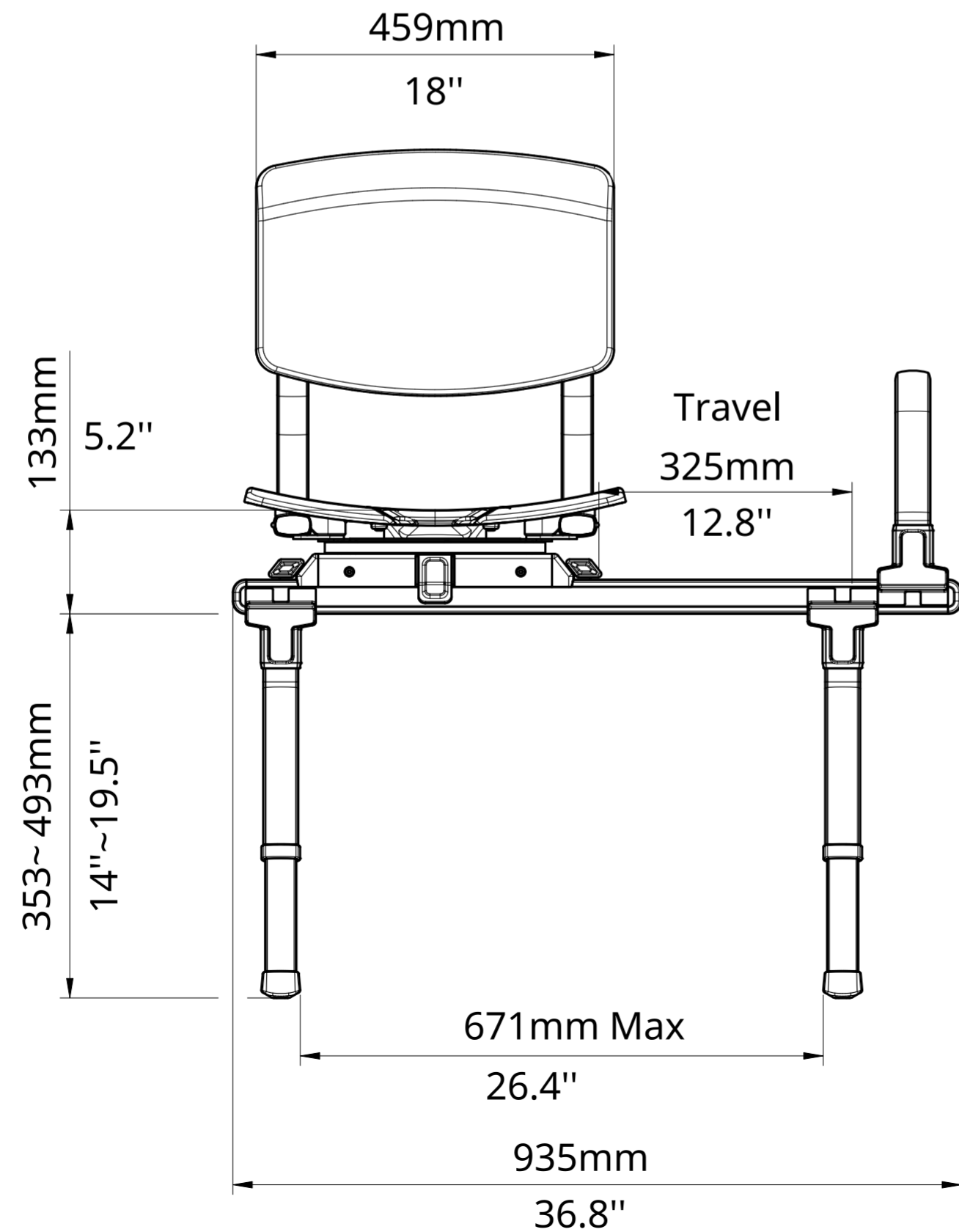
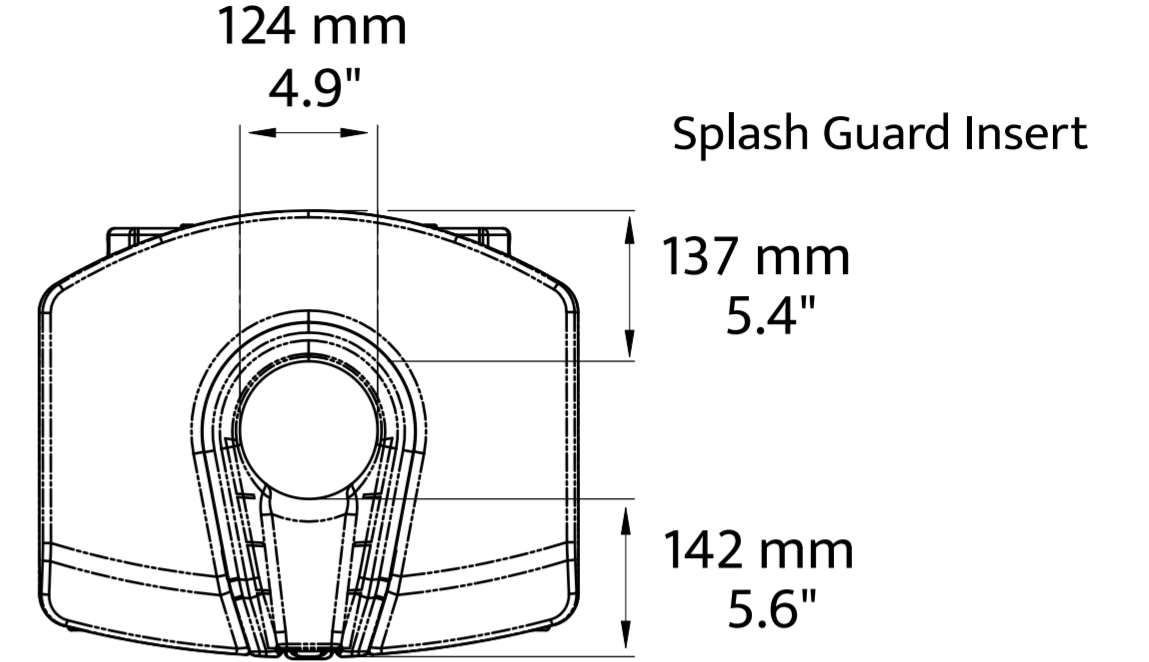
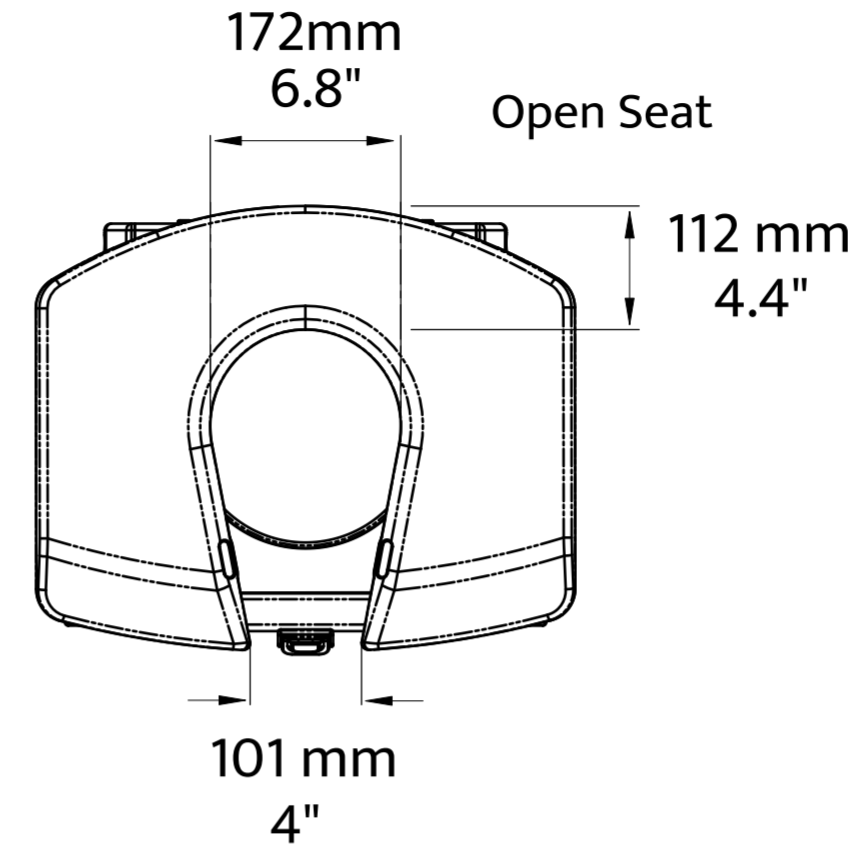
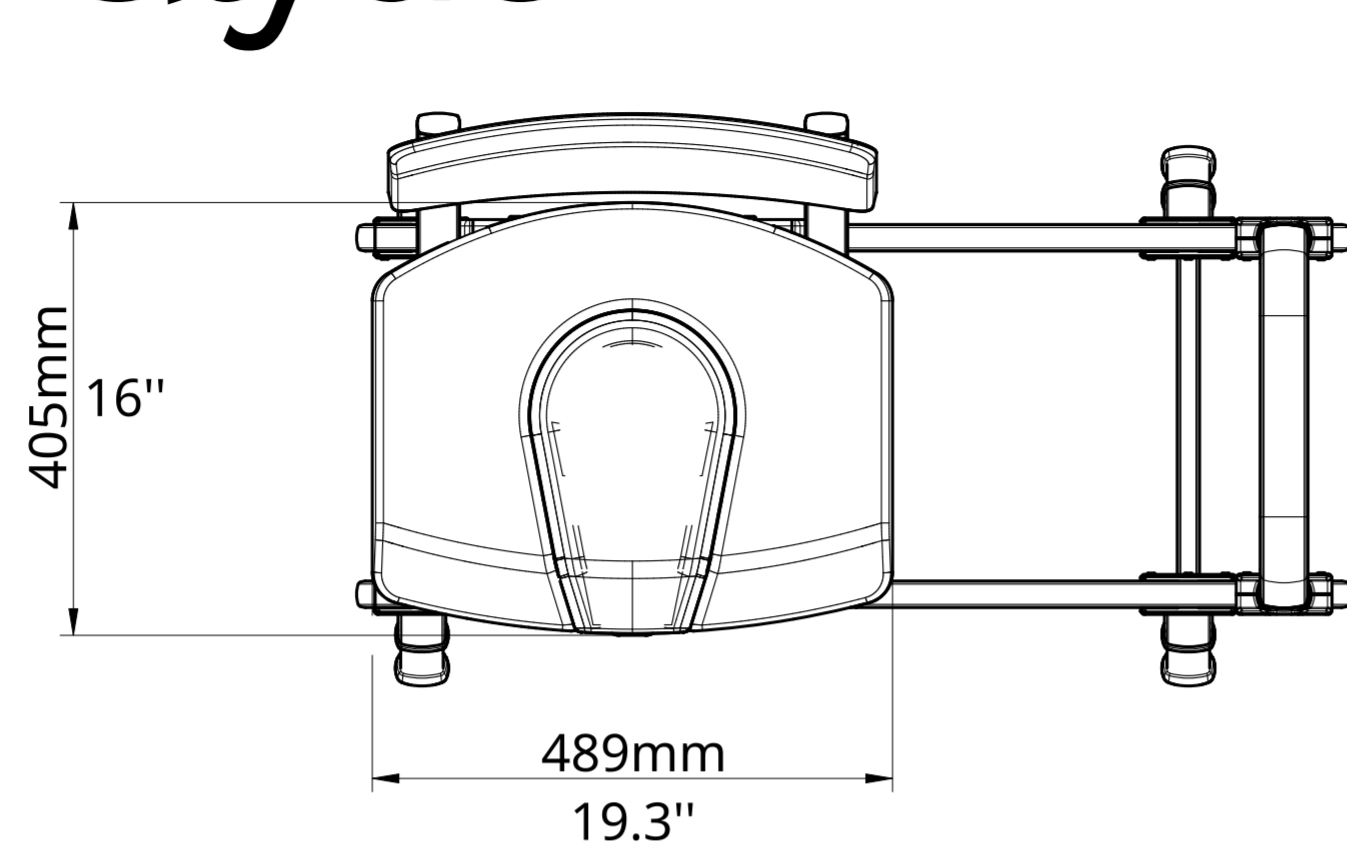


# ShowerGlyde

MODEL SG3

sb SolutionBased



Tub clearance.

Add additional clearance with leg extension accessory: PD000-298

502-640 mm 19.75"~25"

