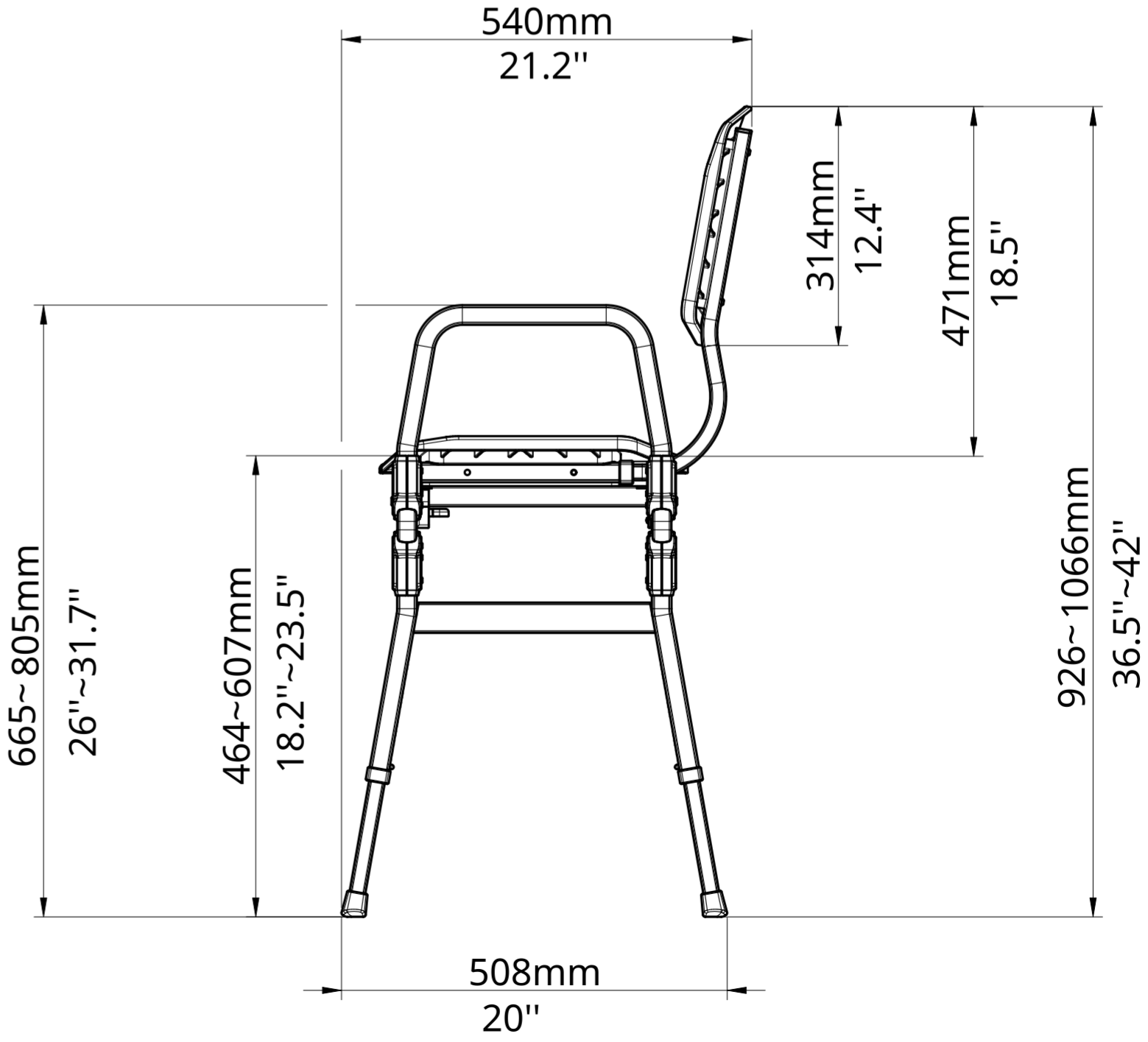
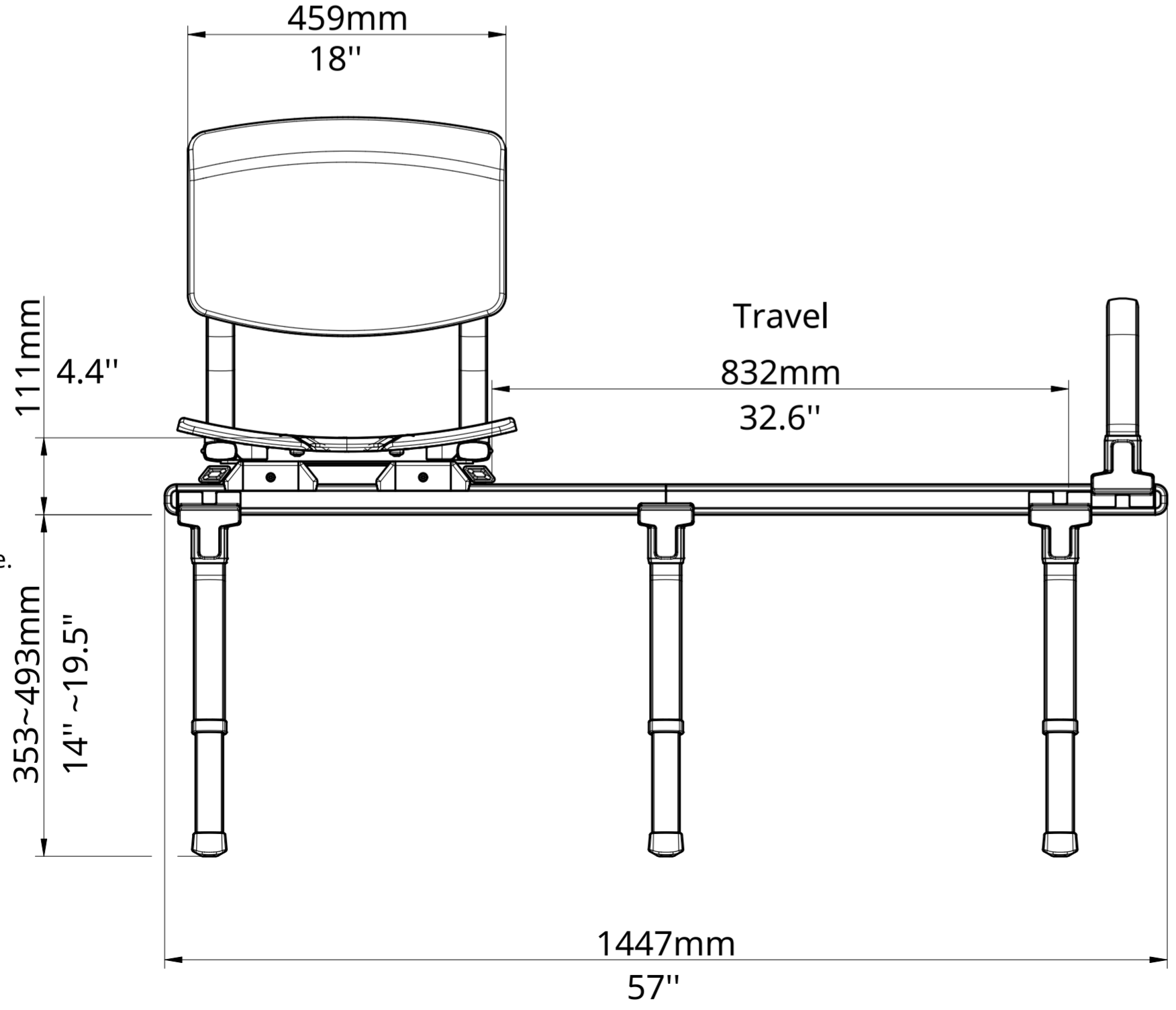
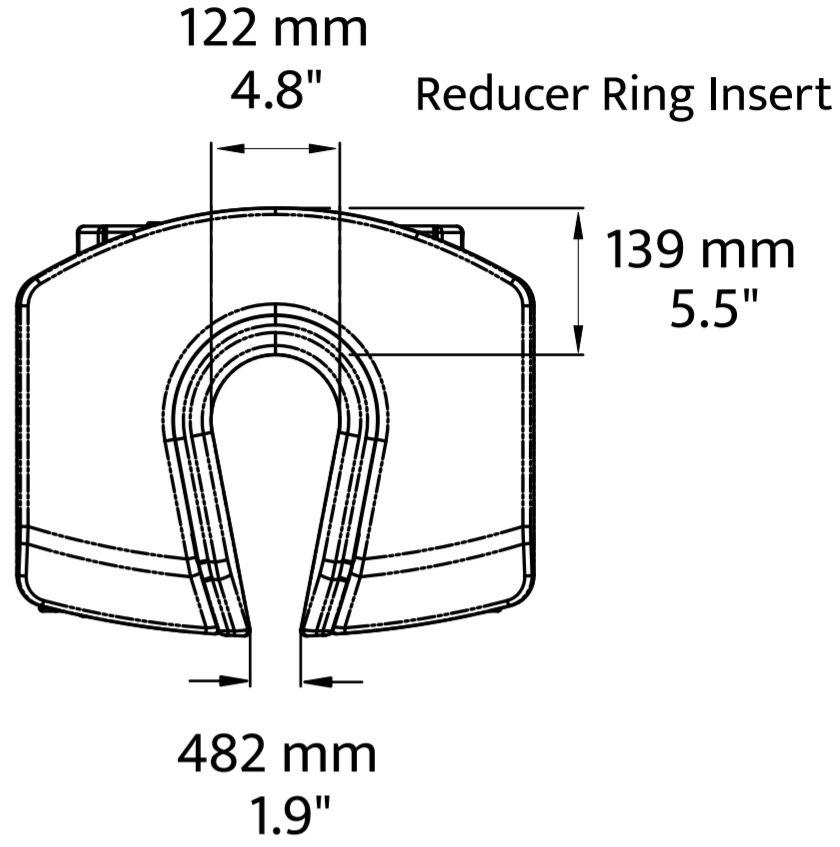
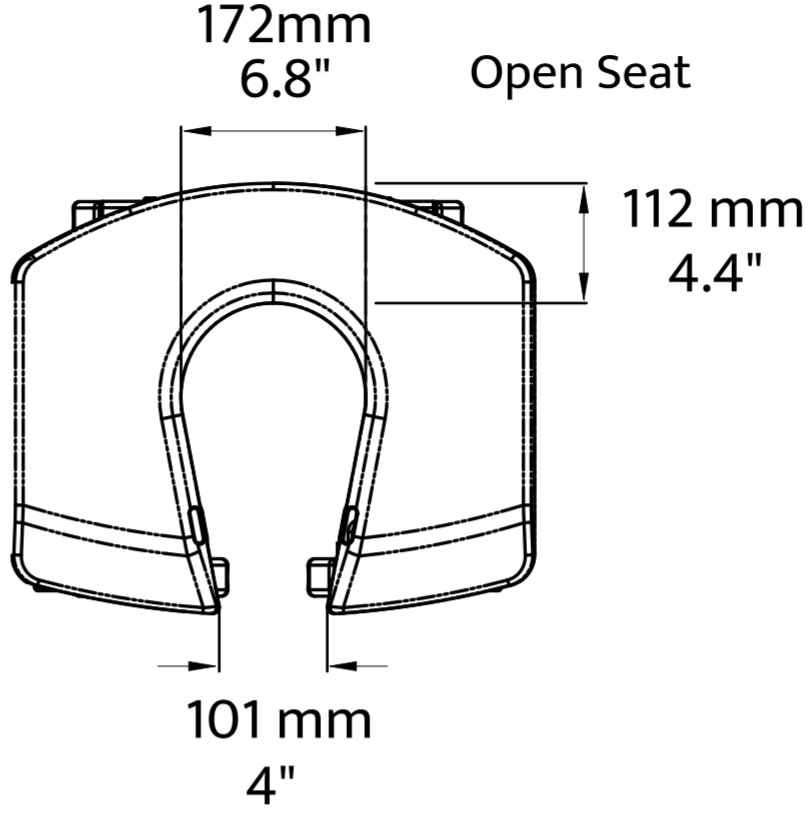
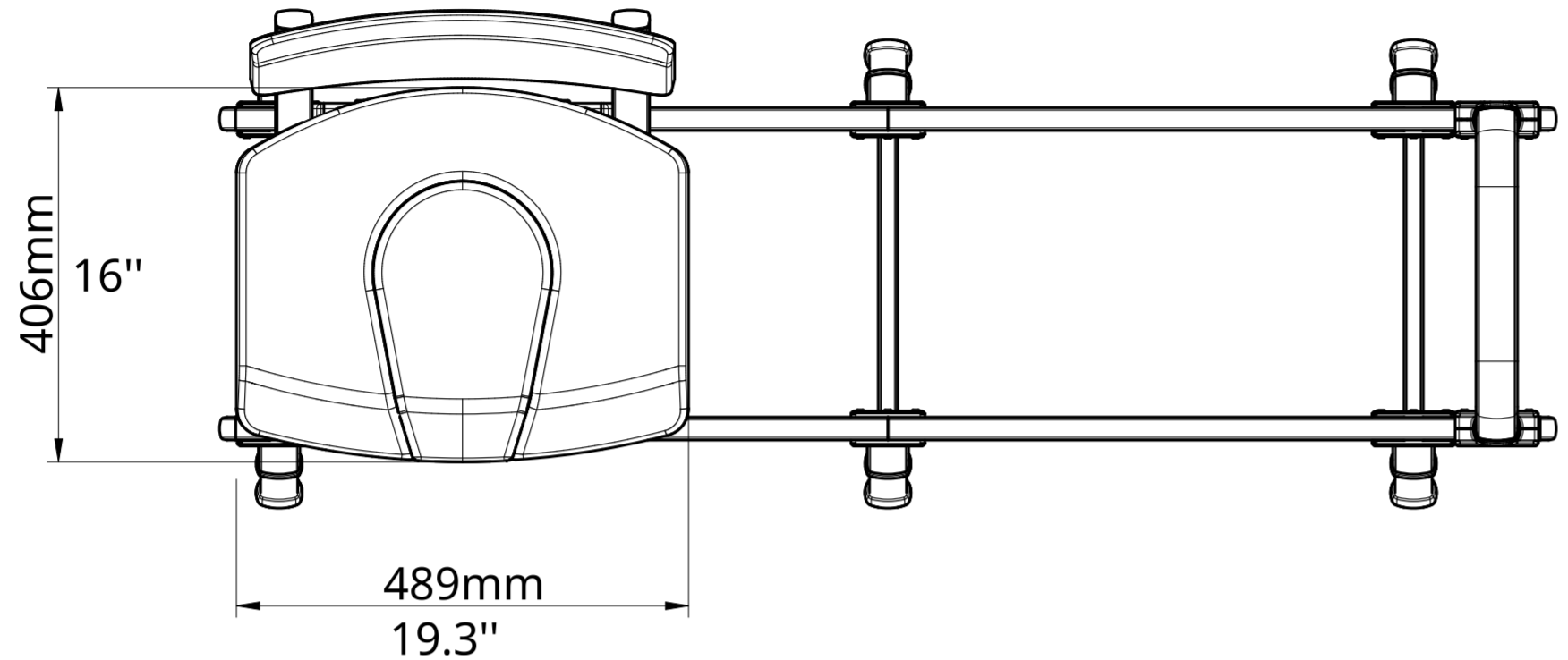


ShowerGlyde

MODEL SG2

sb SolutionBased



Add additional clearance with leg extension accessory: PD000-298
502-640 mm 19.75"~25"