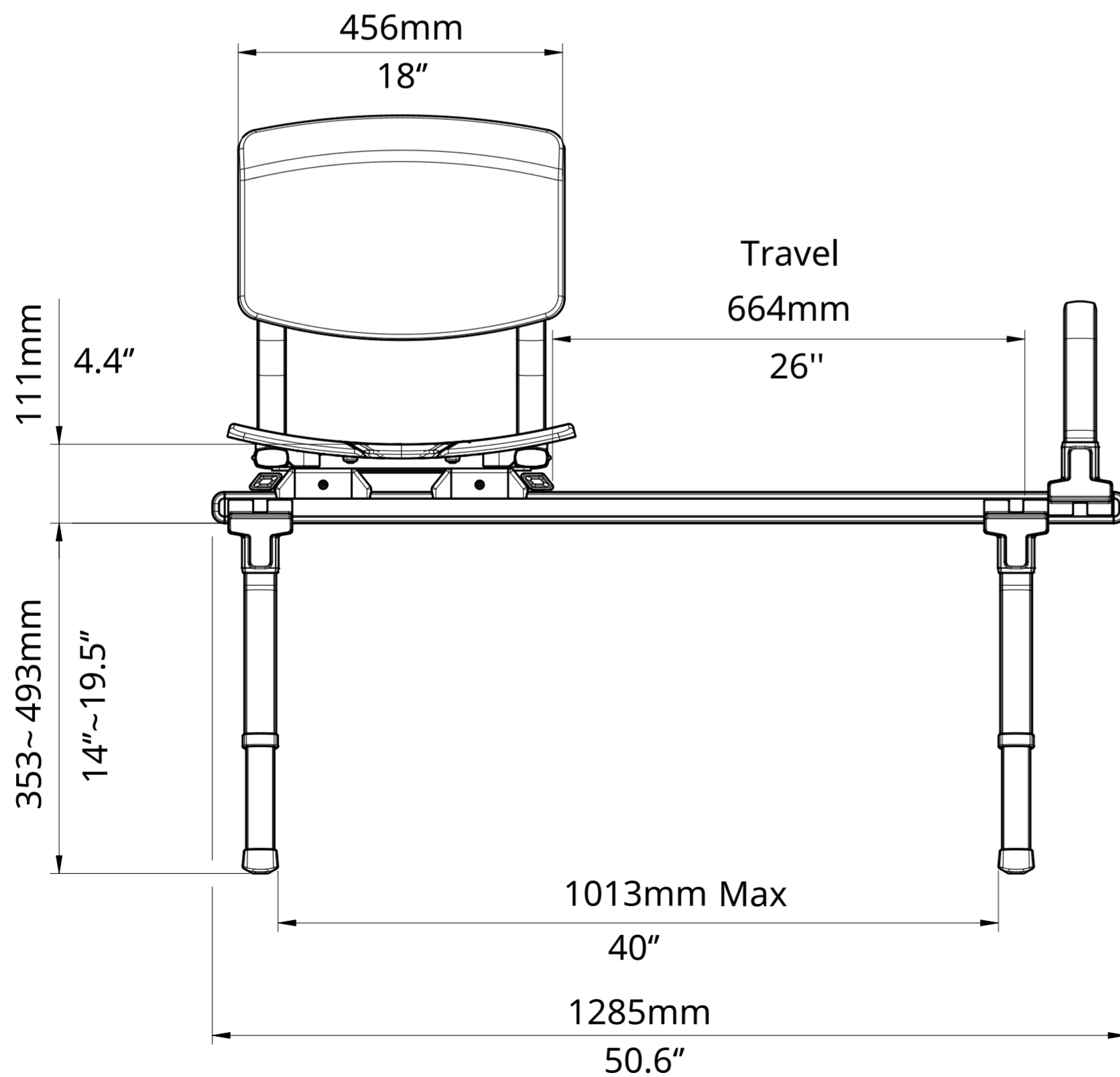
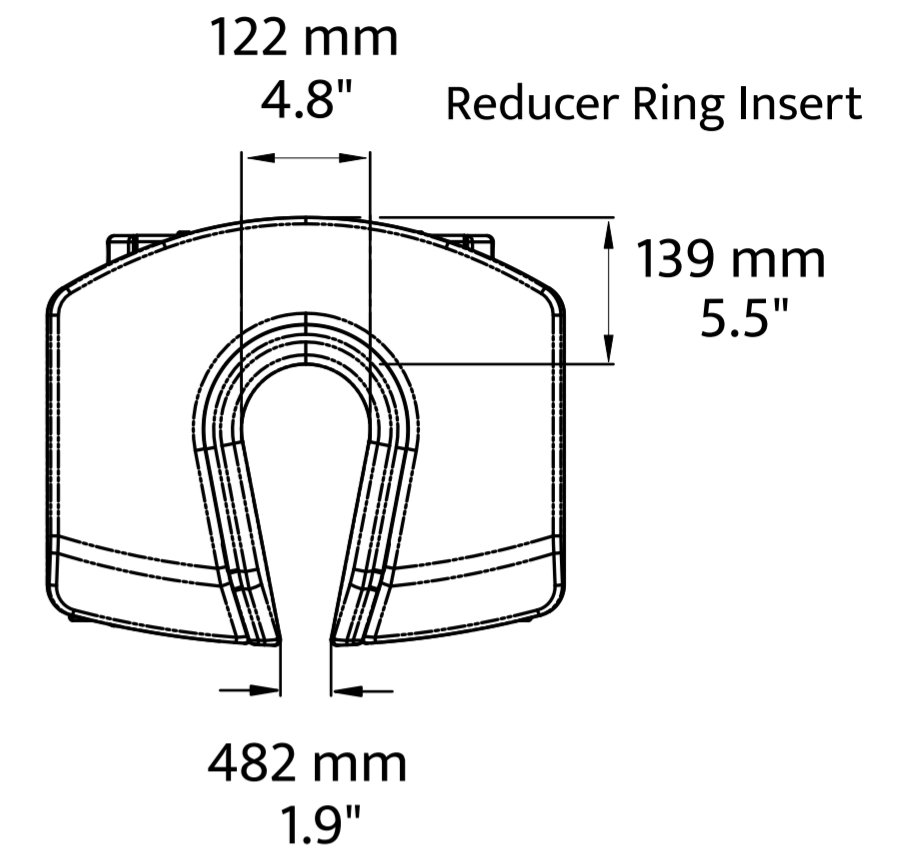
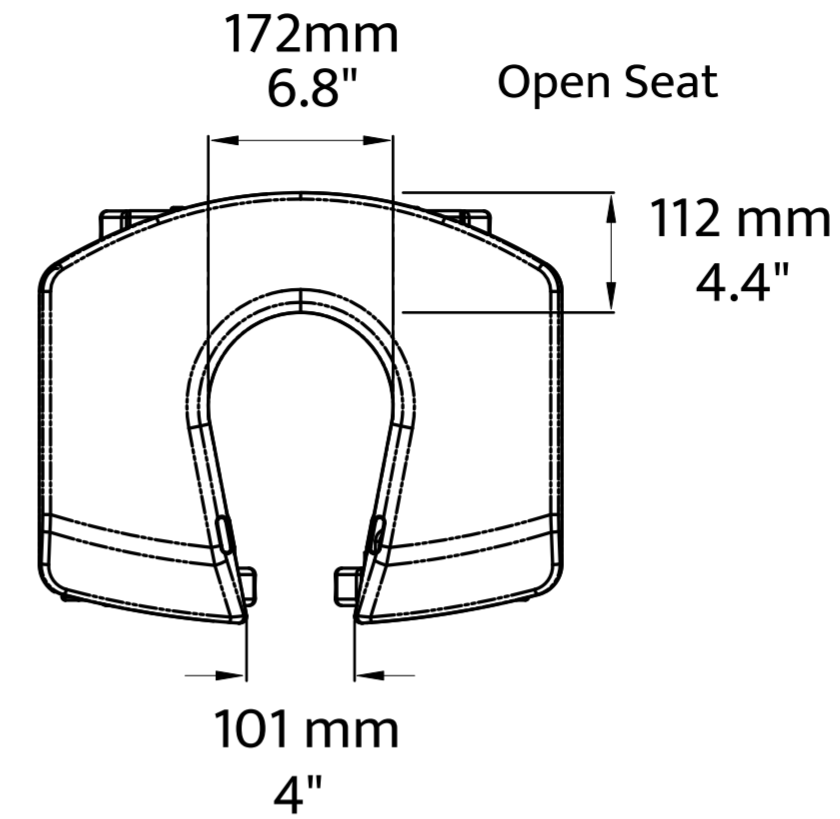
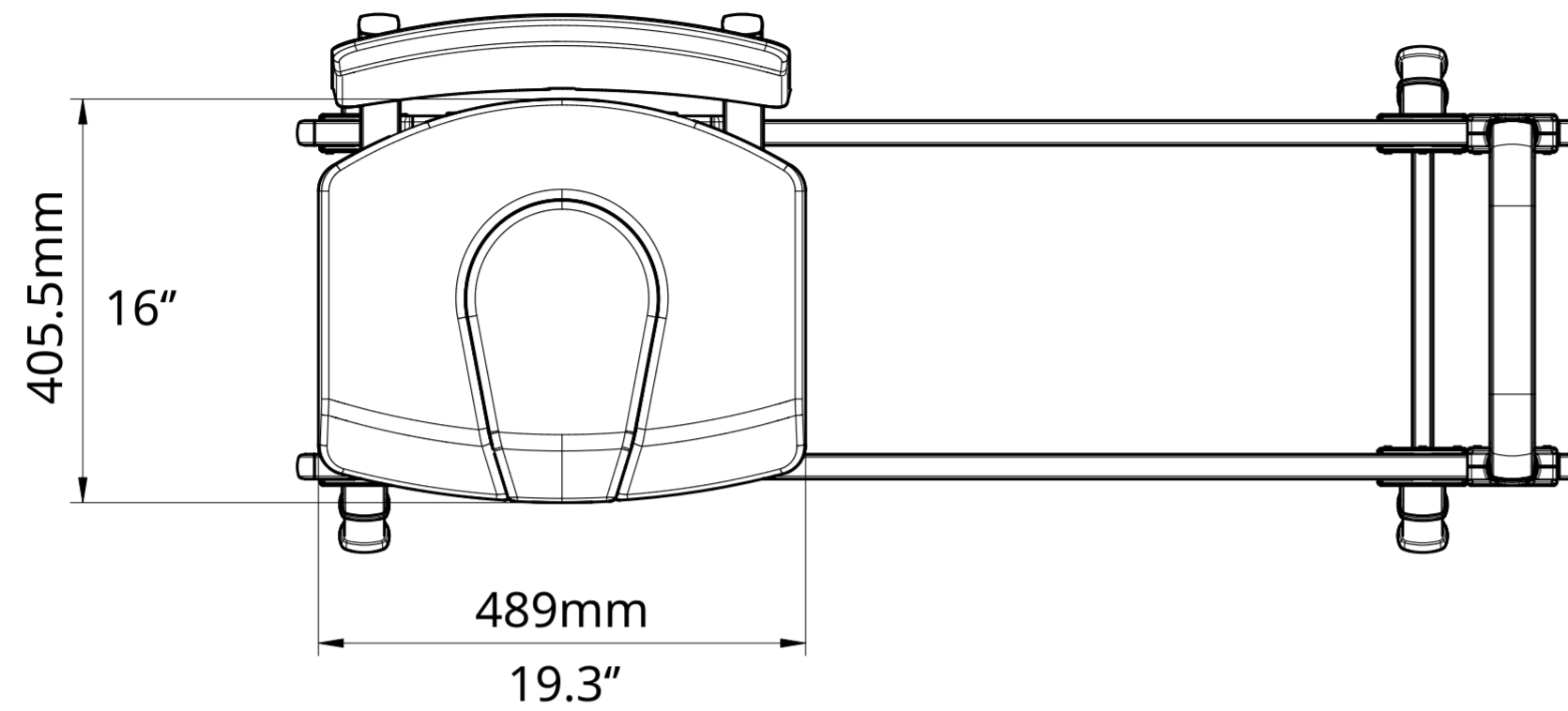


ShowerGlyde

MODEL SG1

sb SolutionBased



Tub clearance.

Add additional clearance with leg extension accessory: PD000-298
502-640 mm 19.75"~25"

